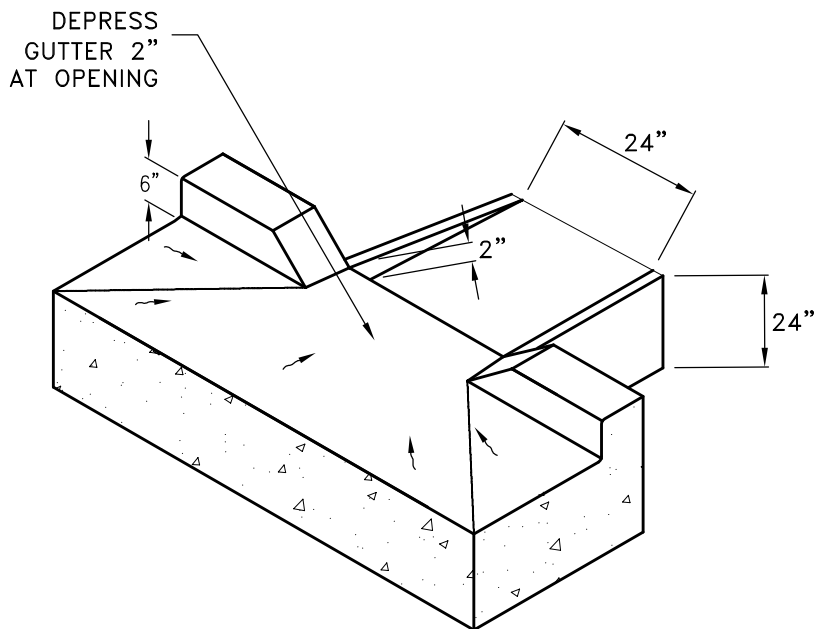


SECTION A-A



NOTES

- PAVER STONES SHALL BE WILLAMETTE GRAYSTONE 24" X 24" CITYSTONE XL, OR APPROVED EQUAL.

CITY OF ALBANY, OREGON PUBLIC WORKS DEPARTMENT		
TYPICAL STREETSIDE CURB NOTCH PAVER SPLASH PAD		
NO SCALE	JULY 2019	NO. 612